



# B23 Energetic

## First Certified CS-23 Electric Trainer Aircraft

Aircraft Deliveries Starting in 2026  
USA and Canada Deliveries in 2027

### Performance

60 minutes of endurance, plus 10 minutes reserves <sup>1</sup> (+/- 10 percents)

Standard pilot training mission: 6 flight circuits <sup>2</sup>

Payload: 180 kg

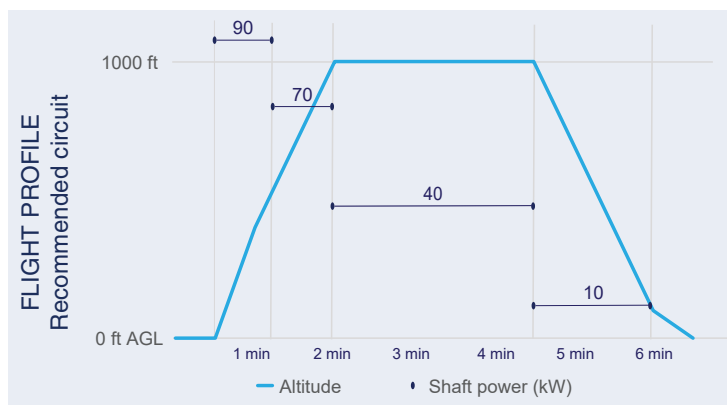
Climb rate (at MTOP): 800 feet/min <sup>3</sup>

Stall speed: 87 km/h - 47 Kts <sup>4</sup>

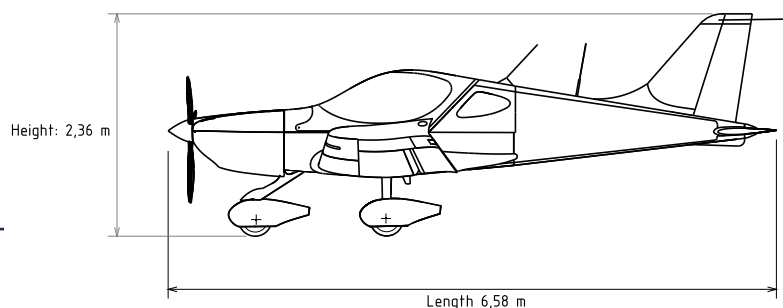
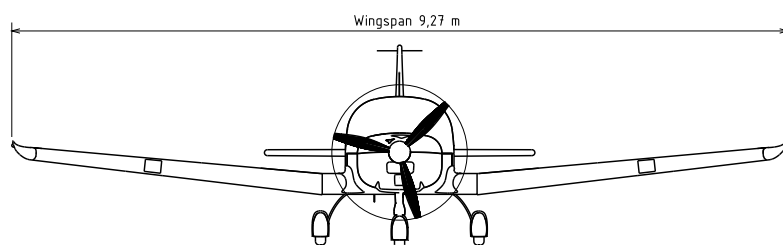
Max cruise speed (at MCP): 200 km/h - 110Kts <sup>3</sup>

Charging time: 1:1 ration use/charge time <sup>5</sup>

Lower cost of ownership with electric propulsion



### Dimensions



### Equipment

Motor and energy data display

Flight display: dual Garmin G5, attitude, airspeed, altitude, side slip and magnetic heading incl. backup battery

Radio: Garmin GTR205

Transponder: Garmin

Angle of attack indicator: Garmin GI260

Flight controls on sticks

RPM, clock and voltage/current indicators

<sup>1</sup> at recommended take-off power

<sup>2</sup> based on traffic pattern illustrated in the graph

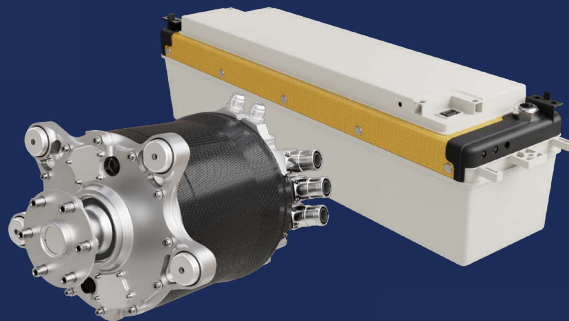
<sup>3</sup> as tested in the current prototype

<sup>4</sup> a marginal increase is expected due to the increased MTOW

<sup>5</sup> depending on environmental conditions and charger performance



# Electric Propulsion System



Battery pack  
Power and protection distribution unit  
Motor  
Motor controller

Power management interface  
Energy management interface  
Power control



## Technical Parameters

Single electric motor, MTOP 90 kW / 104 kW available <sup>1</sup>, MCP 80 kW, liquid cooled

48 kWh of usable energy

Rechargeable lithium batteries distributed in two redundant packs permanently installed

1500+ flight hours, depending on usage

Warning panel for vital battery and propulsion parameters

## Charging Parameters

Input voltage: 3 phase 400V 50Hz  
Input current: 32A or 63A <sup>2</sup>

Output voltage: 800V

Possibility to use commercially available CCS-2 DC charger station satisfying above conditions

<sup>1</sup> Recommended for grass runway only

<sup>2</sup> Charging time depends on environmental conditions and charger performance

**Request an offer - [sales@h55.ch](mailto:sales@h55.ch)**



BRISTELL B23

### About BRM

BRM is a Czech aircraft manufacturer created in 2009. With 5 models available, BRM produces more than 100 aircrafts yearly. BRM AERO's priority is its emphasis on innovation, continuously introducing new developments to its product line. With the B23 Energic, BRM positions itself as a pioneer of the next aviation revolution.



**BRM AERO s.r.o**  
686 04 Kunovice  
Czech Republic



Bristell.com



BRISTELL Energic

### About H55

H55 is the leading enabler of electric aviation offering modular, lightweight and certified electric propulsion and battery management solutions to the aviation industry as to make air transport, quiet, clean and affordable. H55 supports its customers in integrating and customizing its technology solutions for a wide range of applications suitable for both existing airplane designs and future concepts such as VTOLs and e-commuter aircraft.



**H55 SA**  
1950 Sion  
Switzerland



H55.CH